

BLOOMIN8

Colour E-Ink Canvas

Manuals in Your Language



Instrucciones en más idiomas: escanee el código QR para verlas.

Weitere Sprachanleitungen: Scannen Sie den QR-Code, um sie anzusehen.

Plus d'instructions dans d'autres langues : scannez le code QR pour les consulter.

Ulteriori istruzioni in altre lingue: scansiona il codice QR per visualizzarle.

他の言語の説明：QRコードをスキャンしてご確認ください。

더 많은 언어 설명: 확인하려면 QR 코드를 스캔하세요.

更多語言說明：請掃描 QR 碼查看。

更多语言说明：请扫描二维码查看。

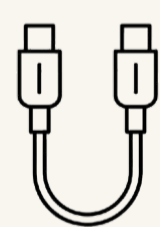
Meer instructies in andere talen: scan de QR-code om ze te bekijken.

Mais instruções em outros idiomas: digitalize o código QR para ver.

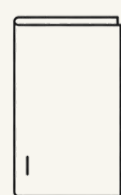
Дополнительные инструкции на других языках:

отсканируйте QR-код, чтобы посмотреть.

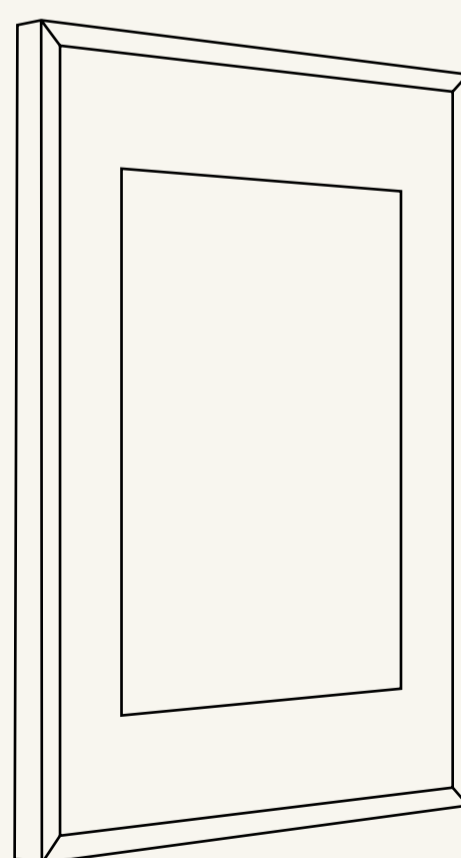
1. What's In The Box?



Type-C cable



User manual



Screw × 2

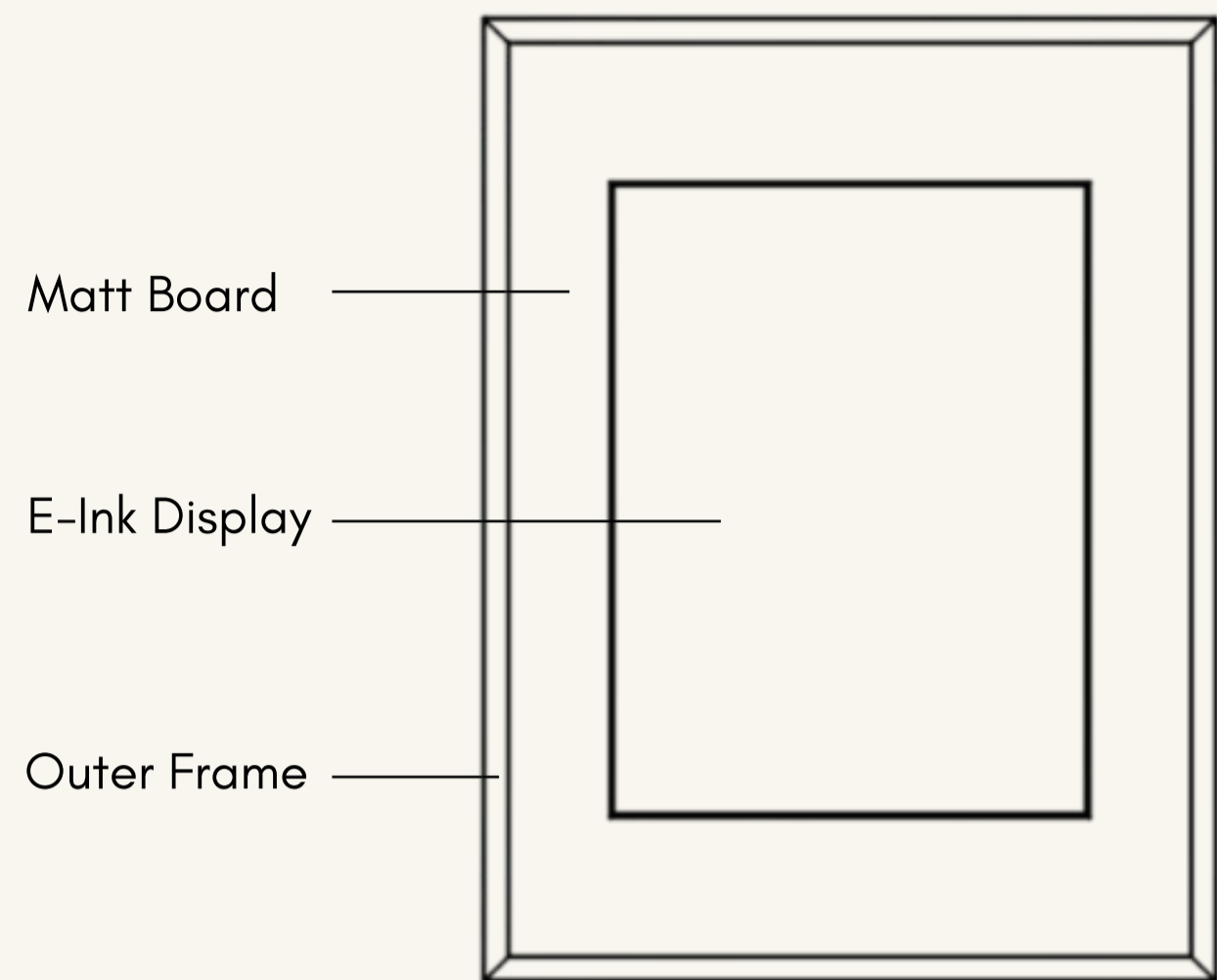
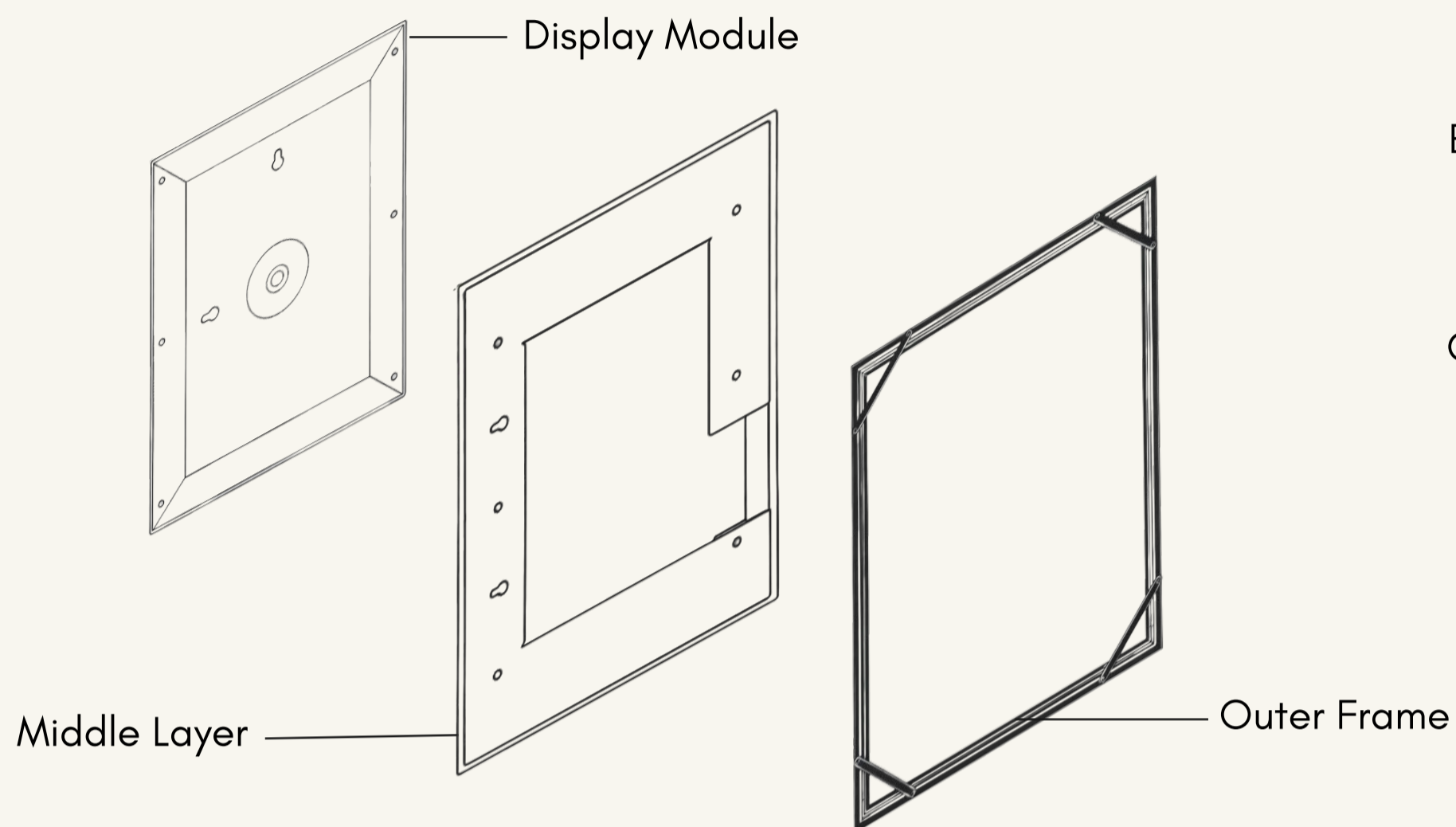


Wall plug × 2

Colour E-Ink Canvas

13.3"

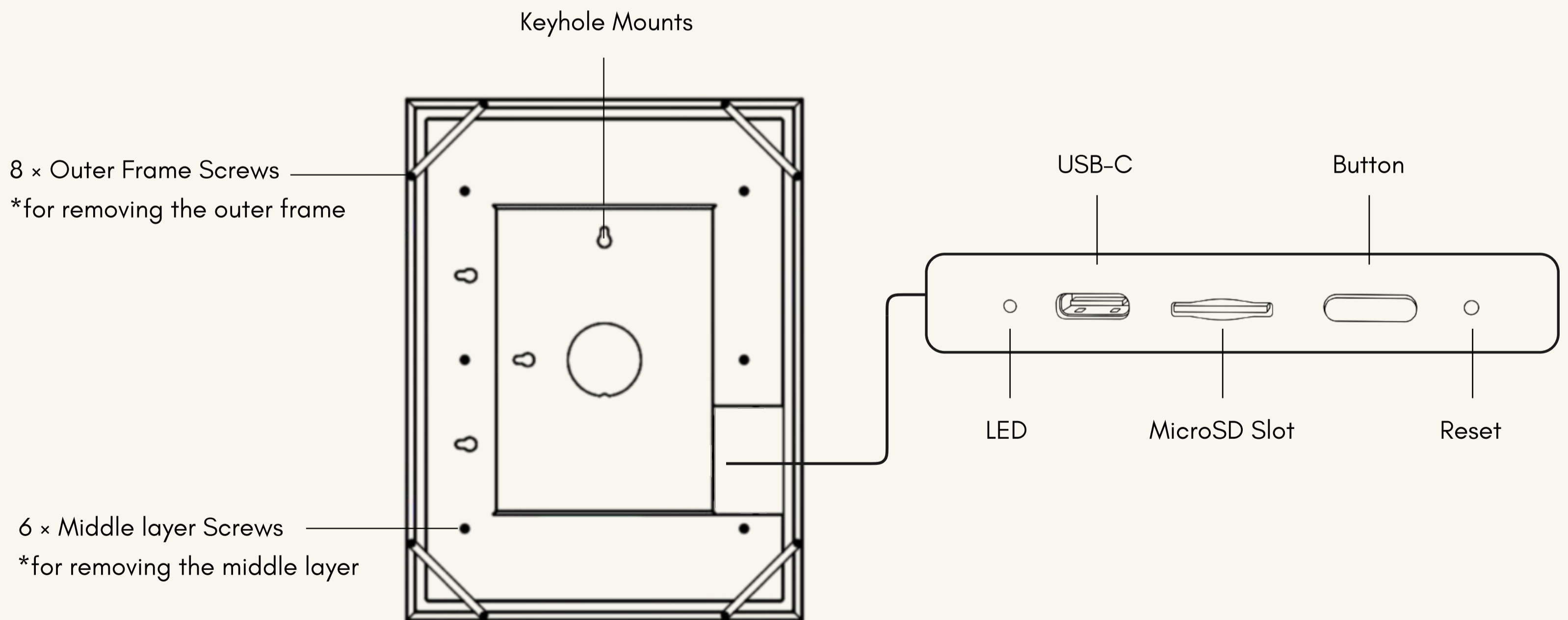
2. Overview



Front view

Modular Design

*BLOOMIN8 Modular design allows you to freely adapt and match different outer frames.



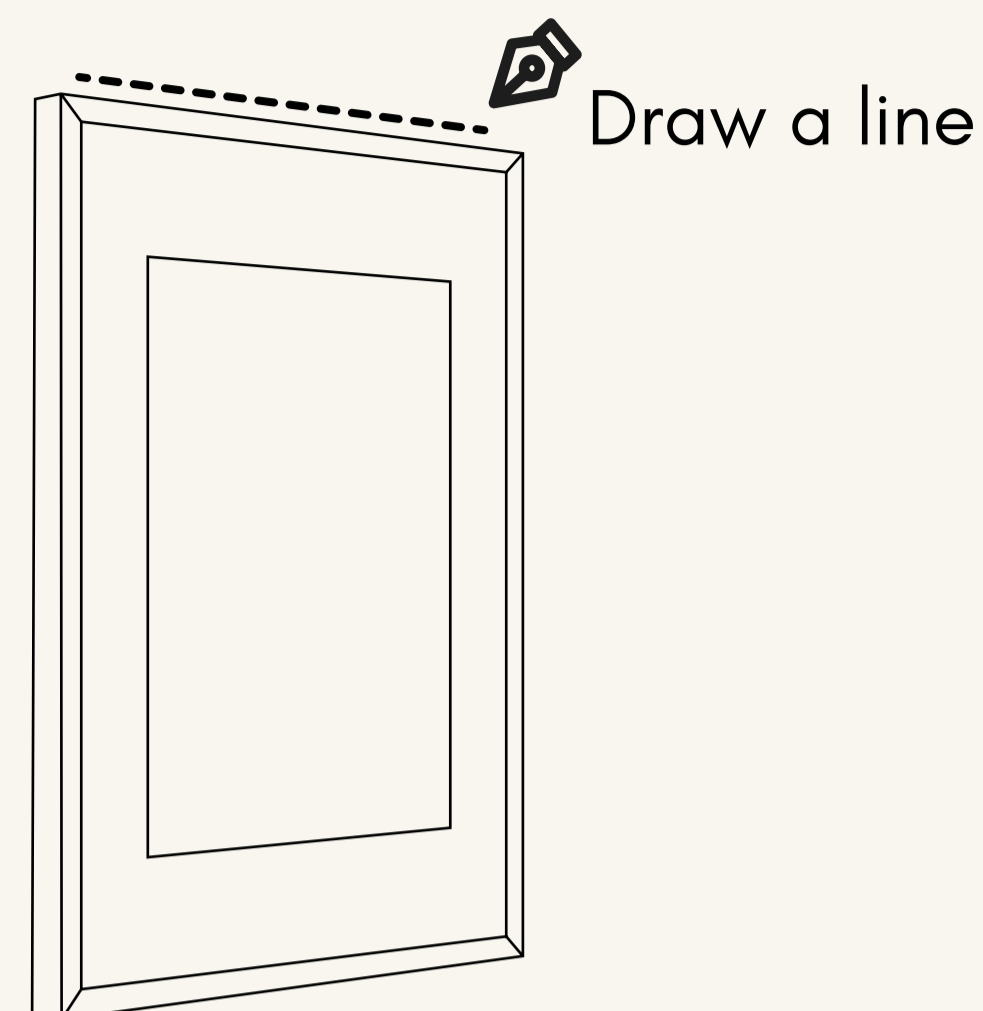
Back view

3. Product Installation

• Position the Canvas

Step 1

Place the canvas roughly where you want it on the wall and use a pencil to draw a light horizontal line along the top edge.



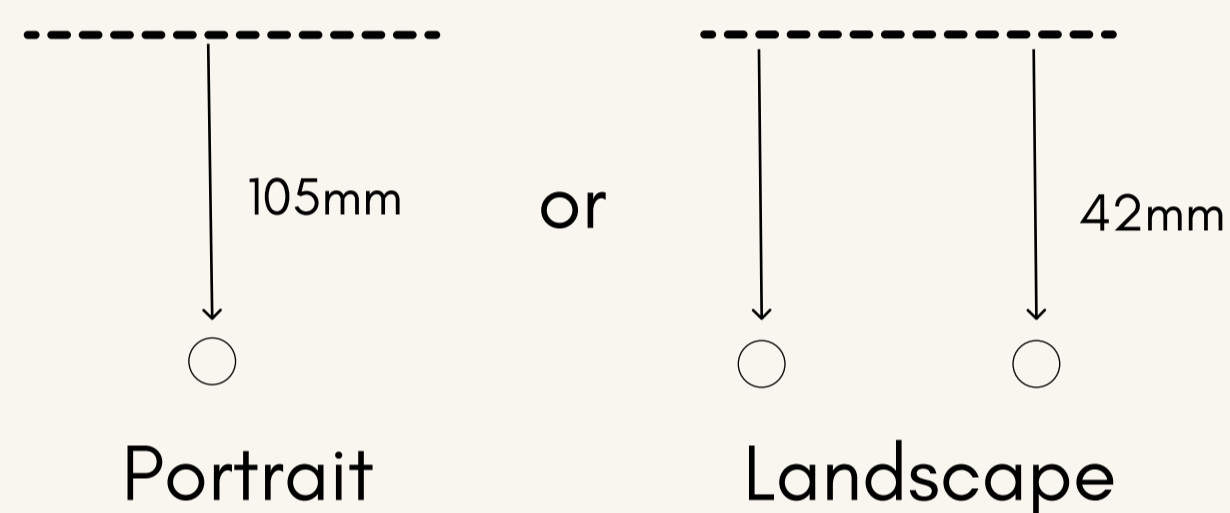
Step 2

From the line, measure

105 mm down for **portrait hanging**

42 mm down for **landscape hanging**

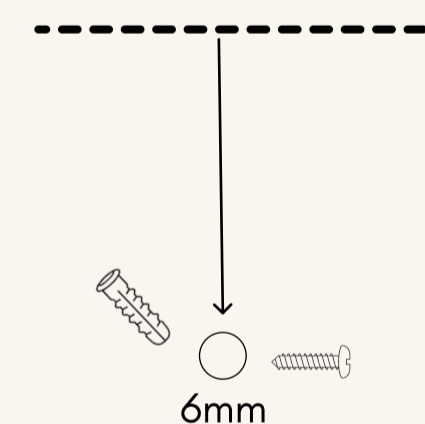
(For landscape installation, mark two points according to the keyhole spacing.)
and mark the screw points.



• Drill & Mount

Step 3

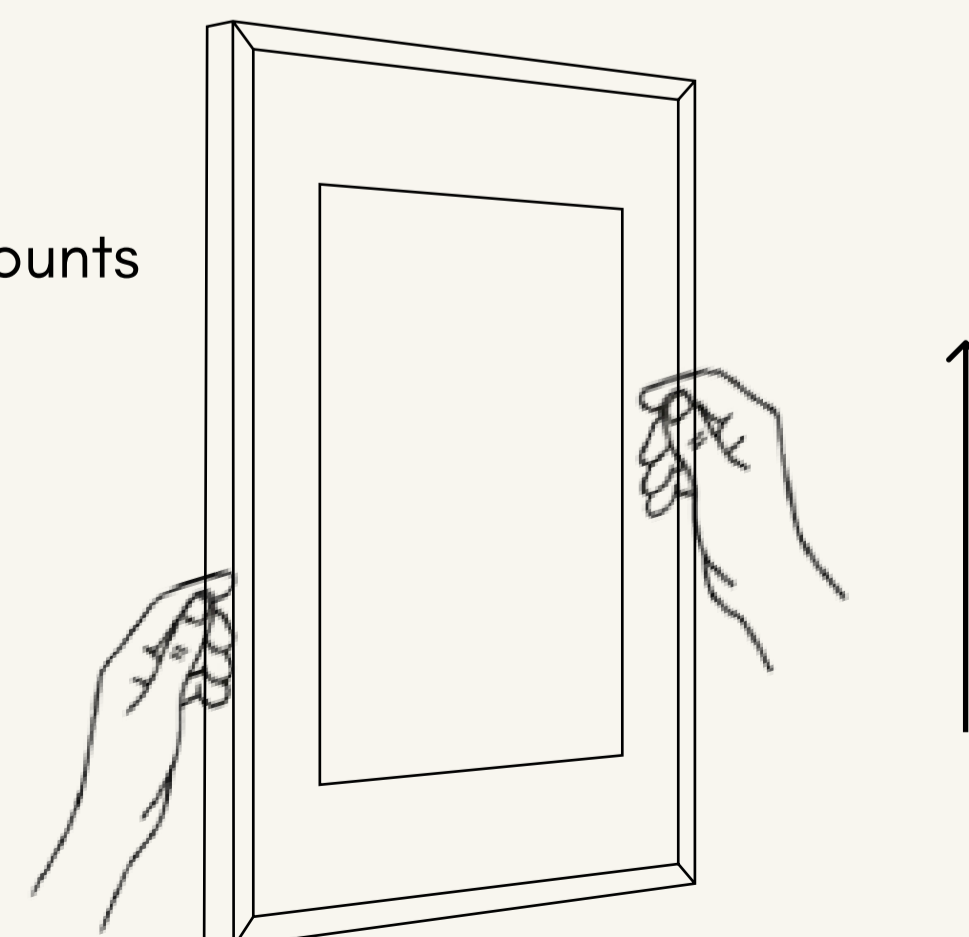
Drill holes ($\Phi 6$ mm) at the marked points, insert wall plugs, then screw in the screws – leaving 4-5 mm of the screw heads exposed.



Step 4

Align the keyhole mounts on the back of the device with the screw heads, then gently slide downward to lock in place.

Keyhole mounts



Note: Ensure all wall plugs and screws are securely fastened before hanging the device.

4. Device Status

Status	Bluetooth	Wi-Fi
On (app can connect)	✓	✓
Sleep (app can wake device)	✓	✗
Power Off (needs short press to wake)	✗	✗

5. Button Control

*E-Ink technology allows the display to hold an image with almost no power. So there is no need to turn it off in daily use.

Function	Button	Buzzer
Put to Sleep	Short press 1s	Beep ×2
Wake Up	Short press 1s	Beep ×4 + Refresh display
Power Off	Long press 5s	Beep ×4

Put to Sleep:

Wireless functions turn off when idle but wake automatically when updating images.

Power Off:

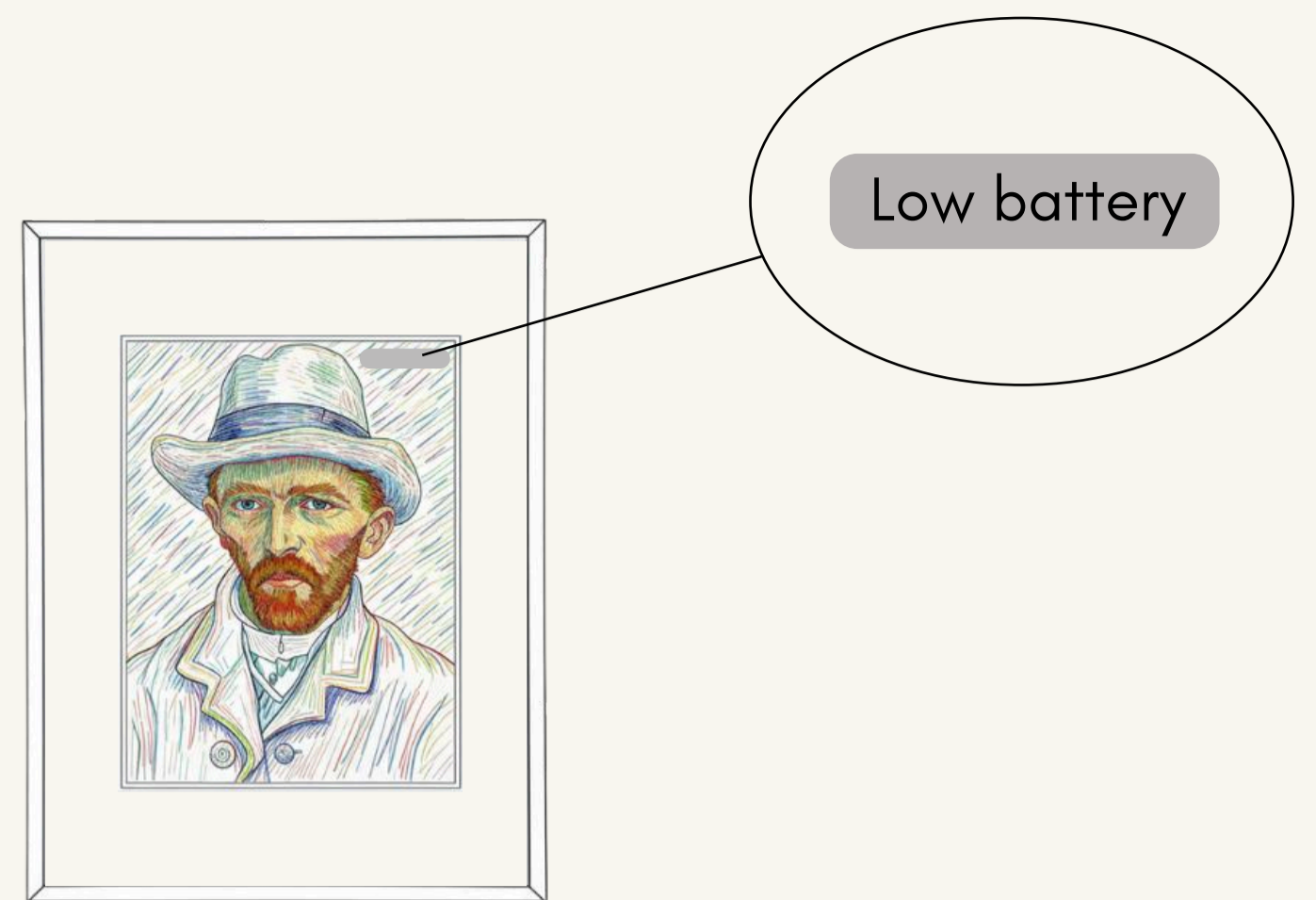
All connections are turned off. The device is in deep sleep and cannot wake automatically. Press the button to turn it back on.

6. Indicator Light

Condition	LED Status
Charging	Red
Fully charged	Green

7. Low Battery

It will remind you when the battery level is **lower than 10%**



8. Specification

Size	13.3"
Display	E-Ink Spectra 6
Resolution	1200 × 1600
PPI	150
Operating Temperature Range	0°C - 50°C
Battery Capacity	10,000 mAh
Charging	USB-C
Wi-Fi	2.4 GHz
Bluetooth	BT 5.1 LE
Frame Material	Aluminium
PMN	13.3-inch Color E-Ink Frame
HVIN	B8ECE613301

9. Connect With The App

Step 1 Download the app

Search "BLOOMIN8" on App Store or Google Play, then download.

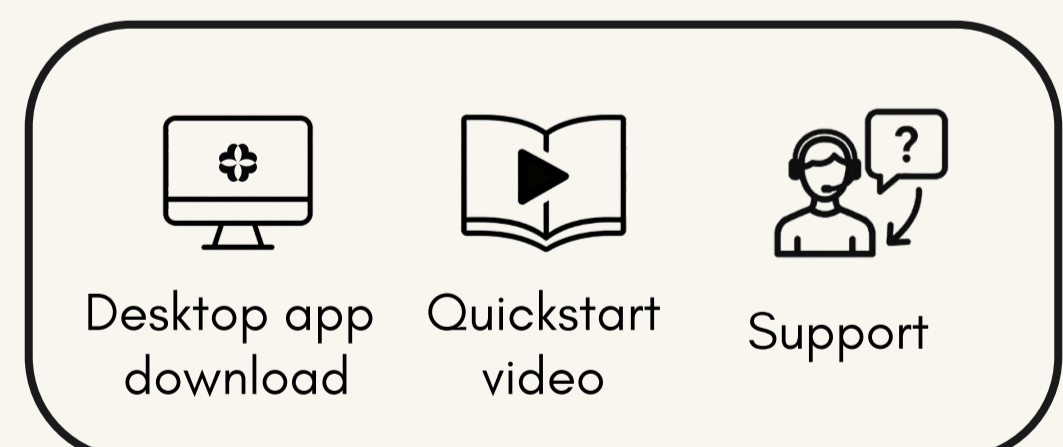


Step 2 Scan the QR code

Open the page and tap **Mobile App** → **Quick start**.

Step 3 Follow the display guide

Add your canvas and complete setup.



10. Maintenance & Care

Cleaning the E-Ink surface

Use a soft, dry microfiber cloth to gently wipe the E-Ink display.

Do not use alcohol, solvents, or any liquid cleaners – moisture may damage the screen.

Frame and matte care

The outer matte border is made of paper material.

Avoid contact with water, humidity, or prolonged sunlight exposure.

If necessary, clean gently with a dry cloth only.

General maintenance

Keep the device away from high humidity, dust, or magnetic interference.

Avoid dropping or pressing the screen surface.

11. Important Safety Instructions

⚠ If you have a history of epilepsy or are susceptible to seizures triggered by flashing or rapidly changing images, avoid staring continuously at the screen during display refreshes. Although E-Ink refreshes infrequently, intermittent image updates may still pose a risk. Consult your doctor before use.

- Use only official or certified power adapters and Type-C cables for charging. Using unapproved chargers may cause fire or electric shock.
- Do not expose the device to water, rain, high humidity or extreme temperatures (0 °C - 50 °C). Prolonged exposure may damage the display or internal electronics.
- Do not drop, bend, or apply pressure to the screen surface or frame. A cracked display or deformed frame cannot be repaired under normal use.
- Unauthorized disassembly, modification or repair attempts may expose you to risk and void the warranty.
- Keep the device and small accessories such as screws, wall plugs and power cables out of reach of children and pets. These parts may present a choking or entanglement hazard.
- It is also recommended to avoid plugging the device into overloaded or ungrounded outlets.
- Long-term storage: If the device is unused for months, allow a full screen refresh every few months to prevent ghosting or residual images.
- Do not press or scratch the E-Ink surface with sharp or pointed objects such as keys or pens – the display is fragile and may crack or deform under pressure.

12. FCC Caution

This device complies with part 15 of the FCC Rules. Operation is subject to the following two conditions:

- (1) This device may not cause harmful interference, and
- (2) this device must accept any interference received, including interference that may cause undesired operation.

Any Changes or modifications not expressly approved by the party responsible for compliance could void the user's authority to operate the equipment.

Note:

This equipment has been tested and found to comply with the limits for a Class B digital device, pursuant to part 15 of the FCC Rules. These limits are designed to provide reasonable protection against harmful interference in a residential installation.

This equipment generates uses and can radiate radio frequency energy and, if not installed and used in accordance with the instructions, may cause harmful interference to radio communications. However, there is no guarantee that interference will not occur in a particular installation.

If this equipment does cause harmful interference to radio or television reception, which can be determined by turning the equipment off and on, the user is encouraged to try to correct the interference by one or more of the following measures:

- Reorient or relocate the receiving antenna.
- Increase the separation between the equipment and receiver.
- Connect the equipment into an outlet on a circuit different from that to which the receiver is connected.
- Consult the dealer or an experienced radio/TV technician for help.

The device has been evaluated to meet general RF exposure requirement.

The device can be used in portable exposure condition without restriction.

13. ISED Warning

This device contains licence-exempt transmitter(s)/receiver(s) that comply with Innovation, Science and Economic Development Canada's licence-exempt RSS(s). Operation is subject to the following two conditions:

1. This device may not cause interference.
2. This device must accept any interference, including interference that may cause undesired operation of the device.

Under Innovation, Science and Economic Development Canada regulations, this radio transmitter may only operate using an antenna of a type and maximum (or lesser) gain approved for the transmitter by Innovation, Science and Economic Development Canada. To reduce potential radio interference to other users, the antenna type and its gain should be so chosen that the equivalent isotropically radiated power (e.i.r.p.) is not more than that necessary for successful communication. This device complies with Canadian ICES-003 and RSS-247.

Radiation Exposure:

This equipment complies with Canada radiation exposure limits set forth for an uncontrolled environment.

ISED Radiation Exposure Statement

The device has been evaluated to meet general RF exposure requirement.

The device can be used in portable exposure condition without restriction.

Avertissement ISED

Cet appareil contient un émetteur/

récepteur exempté de licence qui est conforme au RSS exempté de licence d'Innovation, Sciences et Développement économique Canada. Les opérations sont soumises aux deux conditions suivantes:

1. Cet appareil ne peut pas causer d'interférences.
2. Cet appareil doit accepter toute interférence, y compris les interférences qui peuvent causer un fonctionnement indésirable de l'appareil.

En vertu des règlements d'innovation, sciences et développement économique Canada, cet émetteur radio ne peut être exploité qu'à l'aide d'une antenne d'un type et d'un gain maximal (ou inférieur) approuvés pour l'émetteur par Industrie Canada. Pour réduire le brouillage radio potentiel pour d'autres utilisateurs, le type d'antenne et son gain devraient être choisis de manière à ce que la puissance isotrope rayonnée équivalente (p.i.r.e.) ne soit pas supérieure à celle nécessaire pour une communication réussie.

Cet appareil est conforme aux ICES-003 et RSS-247 du Canada

Exposition au rayonnement:

Cet équipement est conforme aux limites d'exposition au rayonnement du Canada établies pour un environnement non contrôlé.

Déclaration d'exposition aux rayonnements ISED

L'appareil a été évalué pour répondre aux exigences générales d'exposition aux RF.

L'appareil peut être utilisé sans restriction dans des conditions d'exposition portables.



Find more at
bloomin8.com


support@bloomin8.com

